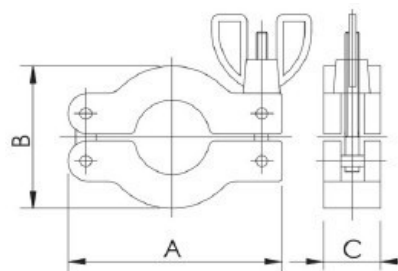


**KF 卡箍**  
KF Clamps

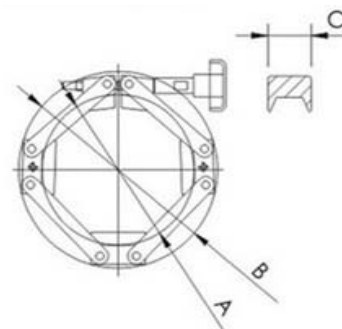


※Material: SUS304 or Aluminium

Unit:mm

Parts No.	A	B	C
CLP-10/16	63.00	41.50	16.50
CLP-25	72.00	52.50	16.50
CLP-40	89.00	69.00	16.50
CLP-50	112.50	91.00	20.50

**KF 链式卡箍**  
KF Clamp Chain

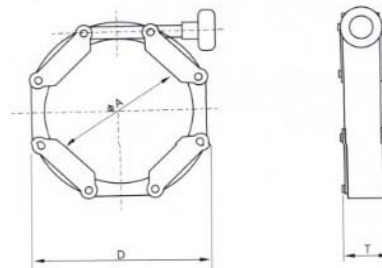


※Material: SUS304 or Aluminium

Unit:mm

Parts No.	A	B	C
CLP-80	100.00	165.00	37.00
CLP-100	122.00	185.00	37.00
CLP-160	178.00	228.00	37.00
CLP-200	239.00	300.00	37.00
CLP-250	288.00	350.00	37.00

**NW 链式卡箍**  
NW Clamp Chain



※Material: SUS304 or Aluminium

Unit:mm

Parts No.	A	D	T
NW-10/16	22.00	60.00	20.00
NW-25	32.00	70.00	20.00
NW-40	47.00	85.00	20.00
NW-50	67.00	105.00	20.00
NW-63	79.00	120.00	20.00